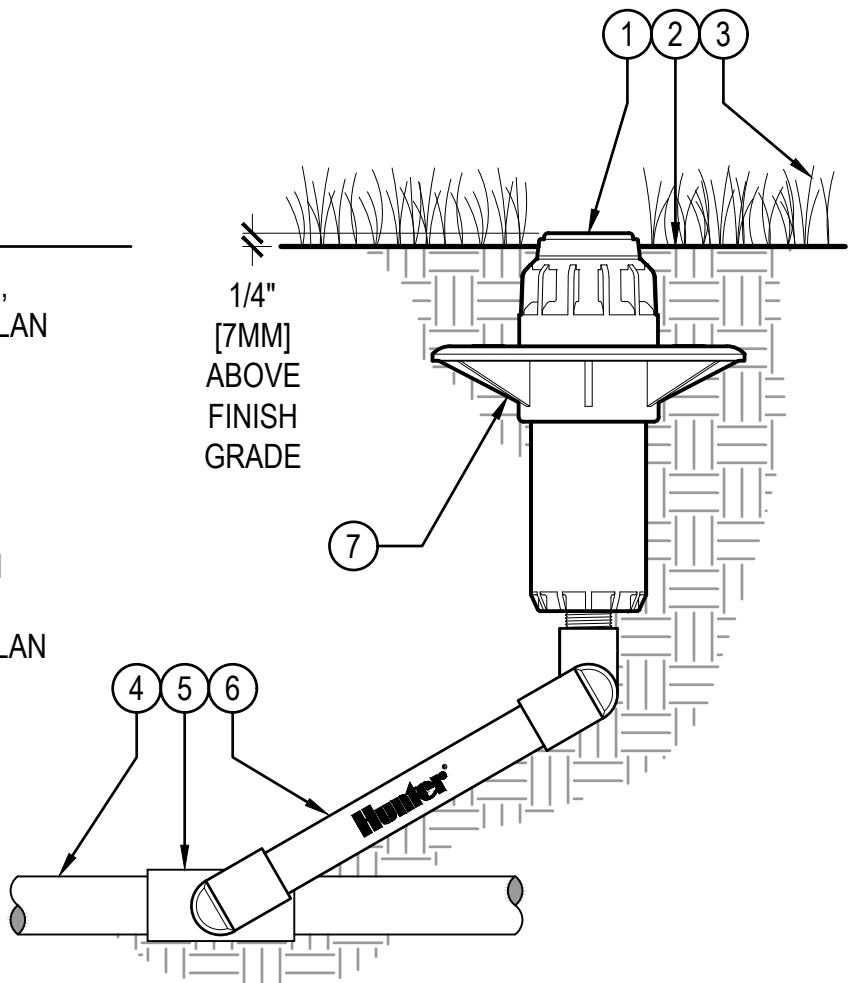


LEGEND

- ① HUNTER ROTOR (I-25-04),
NOZZLE AND CAP PER PLAN
- ② FINISHED GRADE
- ③ ADJACENT LANDSCAPE
- ④ LATERAL PIPE PER PLAN
- ⑤ LATERAL FITTING PER PLAN
- ⑥ PREMANUFACTURED
SWING ARM (HUNTER
HSJ OR PER PLAN)
- ⑦ STABILIZER FLANGE
(MODEL #222700)



POP-UP ROTOR (I-25-04) WITH RIGID SWING ARM (HSJ) AND STABILIZER FLANGE

